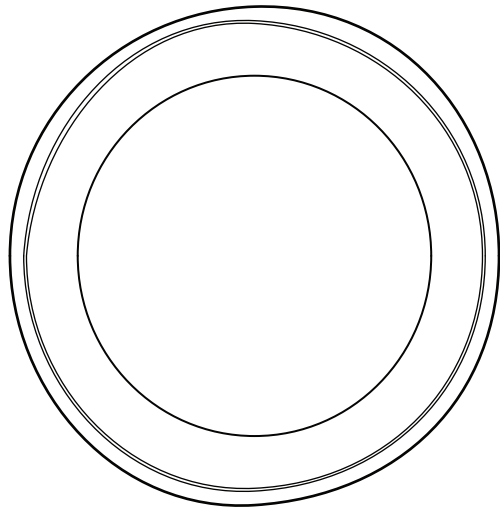


MATERIA

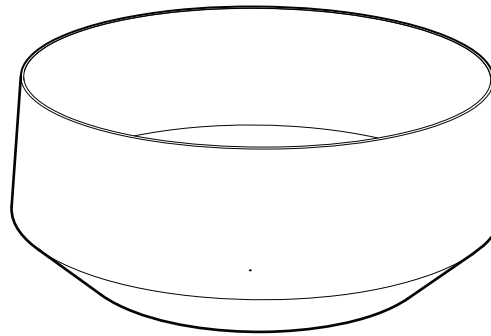


CIRQUE

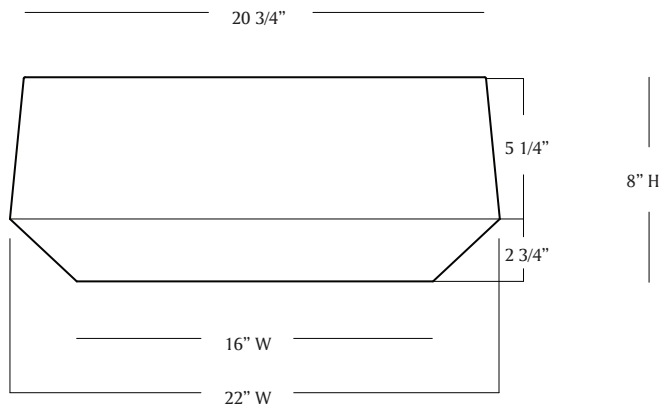
MATERIA



TOP



ISO



FRONT

CIRQUE

LEAD TIME:
Approx 6-8 weeks

DIMENSIONS:
Overall: 22" w x 8" h

FINISHES:
Porcelain: graphite, natural, noir

CUSTOMIZATIONS AVAILABLE UPON REQUEST