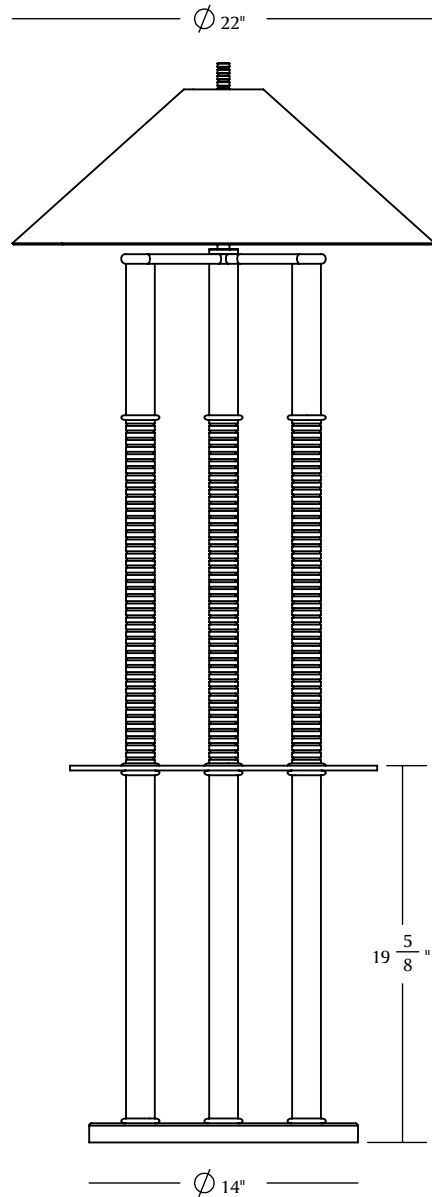


MATERIA

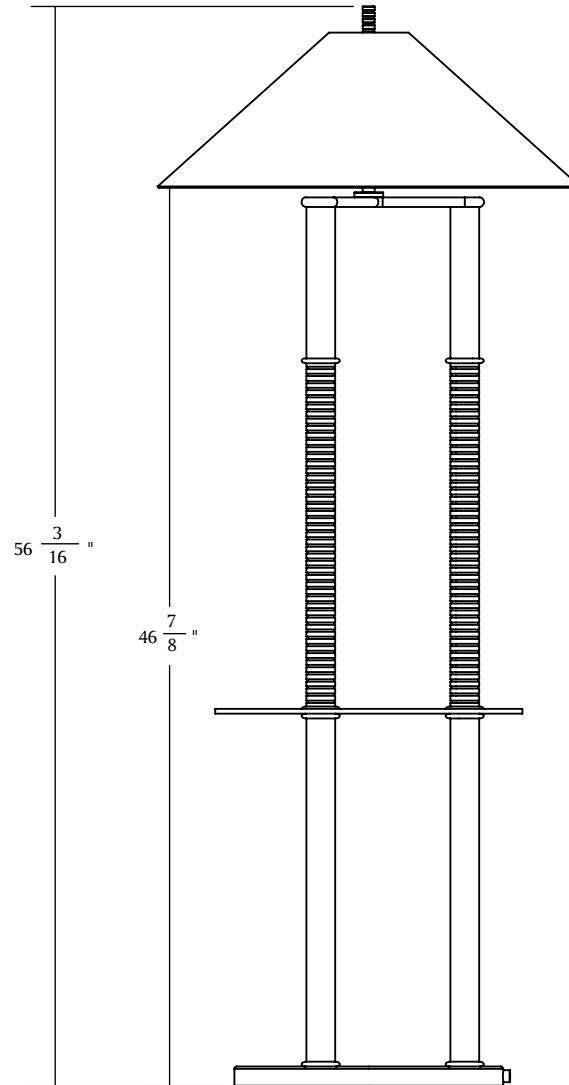


PLATEAU III.FT

MATERIA



FRONT



SIDE

PLATEAU III.FT

PLATEAU, at once inspired by antique marine implements and the layered sedimentary landscape of the New England coastline, deftly plays with the proportions of grounded, striated brass columns and visually weightless occasional trays poised to harbor a cocktail or an afternoon read.

The PLATEAU collection's hand made shades cast a luminous aureate glow on their surroundings, highlighting both their function and their presence as sculptural objects.

LEAD TIME:

Approx 12 weeks

LAMPING:

1x A19 E26 Base 11w (75w Equivalent) 2700k Dimmable Led

DIMENSIONS:

Shade: 22" Dia x 8.5" h

Base: 14" Dia x 1" h

Tray: 16" Dia x 1/4" h

Tray Height: 19 1/2"

Lamp: 56 3/16" OAH

FINISHES

Brass Body: Aged Brass, Aged Silver
Blackened Brass, Un-Lacquered Brass,
Un-Lacquered Brass / Bum (*spindles only*)

Shades: Ivory Linen Exterior / Gold Pony Interior;
Black Linen Exterior / Gold Pony Interior

UL LISTED